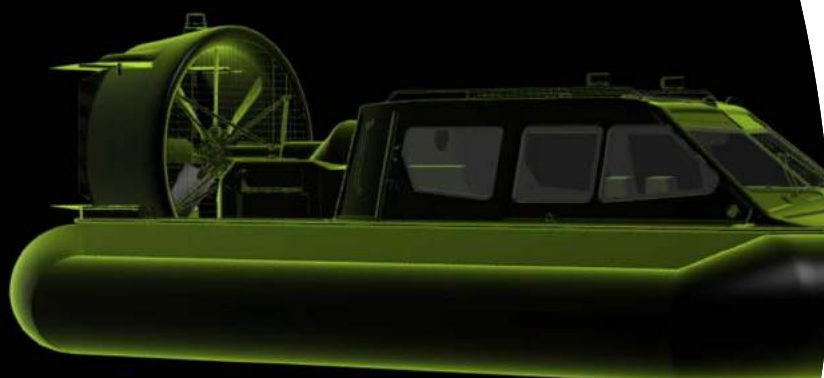




Łukasiewicz
Institute
of Aviation

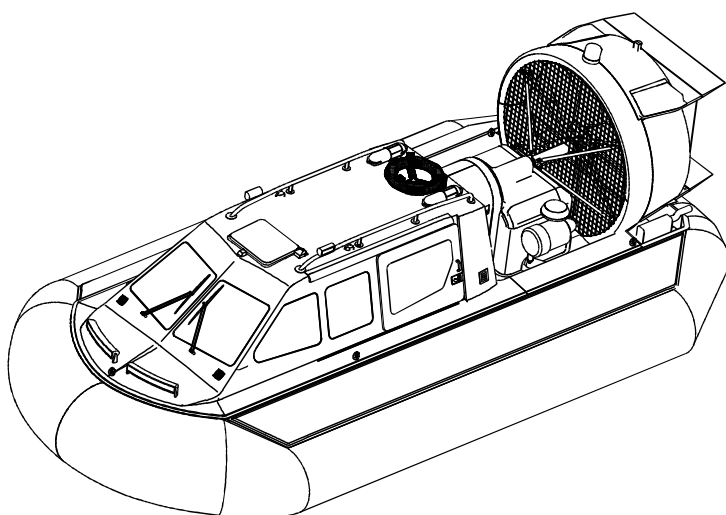
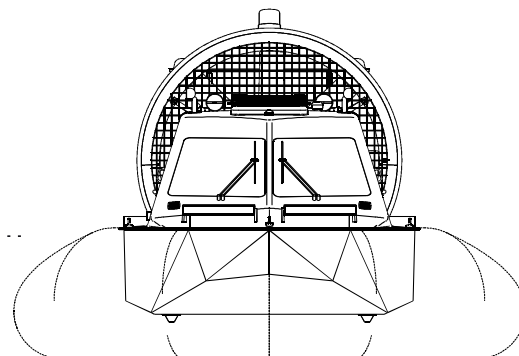


The PRC - 650 Hovercraft
has been designed
for rescue and patrol operations
in inland waterways,
especially in winter conditions,
on fragile ice and in water bodies
with low water level

PRC -650 PATROL-RESCUE HOVERCRAFT

CONSTRUCTION OF THE PRC-650

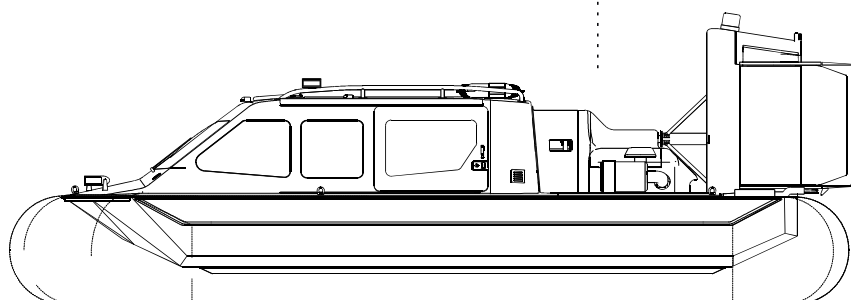
- Designed to be transported by helicopter or in a sea container.
- Stable and safe pilotage.
- Easy planing on water.
- The possibility of reducing thrust without changing the pressure in the cushion with simultaneous full maneuverability control.



TECHNICAL INFORMATION

Parameter	Value
Boat class symbol	*bKM2patx
Engine	BUKH SOLAS DIESEL (2,4L diesel power: 200 hp)
Hull length	6,5 m
Hull width	2,2 m
Side height	0,69 m
Cabin height	1,55 m
Maximum height	2,1 m
Empty weight unit	1100 kg
Maximum design weight	2200 kg
Available weight	900 kg
Available capacity	9 persons
Maximum speed	70 km/h
Height of permanent obstacles	0,35 m
Fuel consumption	20-25 l/h
Fuel tank	90 l

The PRC - 650 Hovercraft has been designed to meet the needs of various rescue units: police, border guards, fire brigades, water rescue services. Due to its unique parameters, it may also be used by the military units.



The Łukasiewicz Research Network - Institute of Aviation

offers a wide range of specialized research, engineering services and products. We provide comprehensive solutions, ranging from dedicated analyzes, simulations, engineering design, through the selection, testing and certification of materials and structures, to rapid prototyping and additive manufacturing.

al. Krakowska 110/114, 02-256 Warsaw, Poland

e-mail: info@ilot.lukasiewicz.gov.pl / www.ilot.lukasiewicz.gov.pl